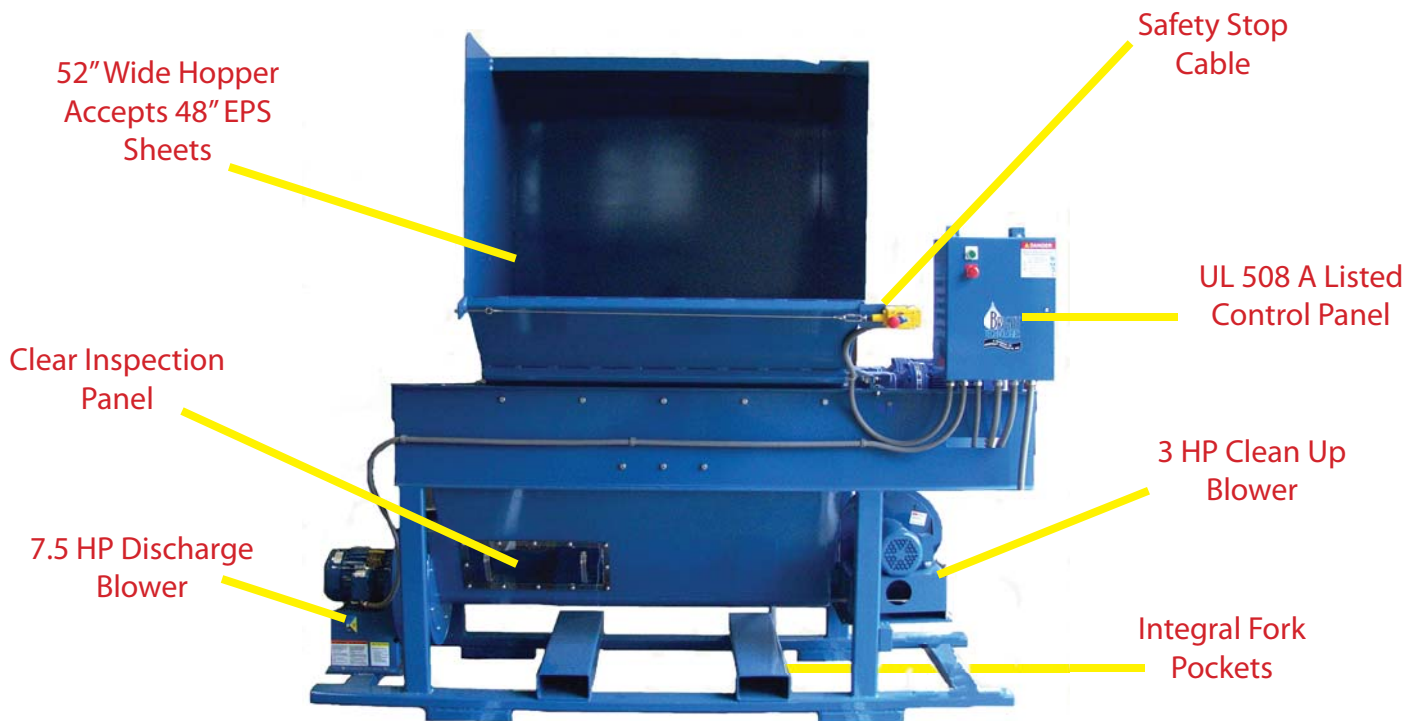




# EPS PRE-BREAKER MODEL PBX2

The perfect companion to our world class EPS Densifiers, the PBX2 pre-breaker processes up to 2,000 Cubic Feet per Hour\* of your large EPS materials. That's about one SEMI load of EPS every two hours!

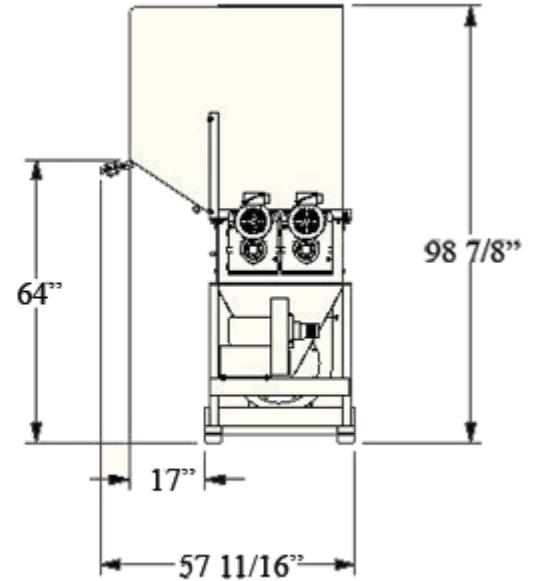
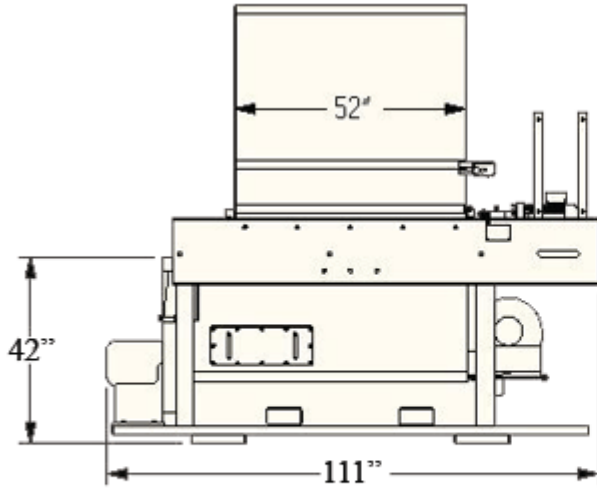
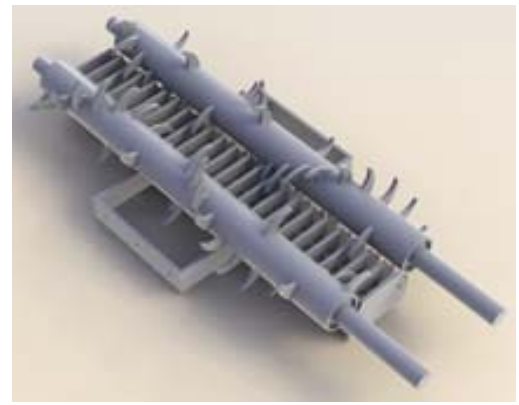


*Keep it Clean!*

The integral discharge and clean up blowers reduce installation time and aids in keeping your workplace clean. The dual blower design greatly reduces the chance of a material jam in the lower discharge bin. The clean up blower can be connected to your densifier via a 3" hose or used to vacuum up the work area, and the EPS fragments and dust are all returned to the bag hopper.

- ▶ Dual 5 HP direct drive gear motors
- ▶ Integral 7.5 HP material blower
- ▶ Integral 3 HP cleanup blower
- ▶ Unique spiral arbor design
- ▶ Heavy duty arbor bearings
- ▶ Low friction grate design
- ▶ Removable discharge bin window
- ▶ Large bolt on loading hopper
- ▶ Accepts material up to 48" wide
- ▶ Hopper reduces airborne particles
- ▶ Heavy duty channel frame design
- ▶ Integral skid design with fork pockets
- ▶ UL listed control panel
- ▶ E-stop safety cable

The PBX2 features dual 5 HP arbor drives. Each Arbor has our exclusive “spiral tine” design that both lowers the required torque and aids in the processing of large EPS chunks without operator intervention.



Due to product improvement, the manufacturer reserves the right to alter or amend, without notice, any of these specifications and/or dimensions.

MODEL NUMBER	THROUGHPUT CU. FT/ HR	DRIVE(S) 2 @ 5 HP	FAN 1 HP	FAN 2 HP	TOTAL HP	FEED OPENING	LOAD HEIGHT	WEIGHT LBS.
PBX2	2,000*	10	7.5	3	20.5	52 IN.	64 IN.	3,100

\*Throughput varies with EPS size & properties

Bright Technologies  
 a division of Sebright Products, Inc.  
 127 N Water St.  
 Hopkins, Michigan 49328  
 800-253-0532 Toll Free US  
 269-793-7183 Phone  
 269-793-4022 Fax

Working together to provide complete recycling and waste processing solutions

Bright  
 Belt Filter Presses  
 High Density Extruders  
 Xtractors  
 EPS Foam Densifiers

Sebright  
 Stationary Compactors  
 Self-contained Compactors  
 Precrushers  
 Hydraulic Cart Dumpers,  
 Custom Carts and Containers

